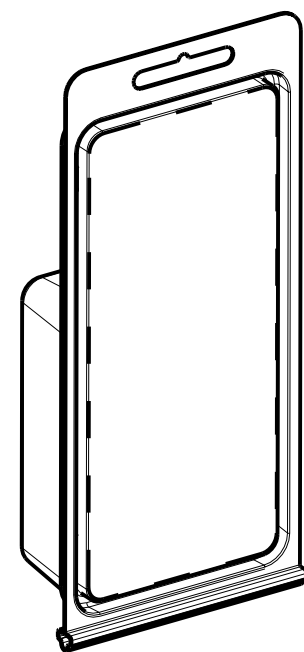
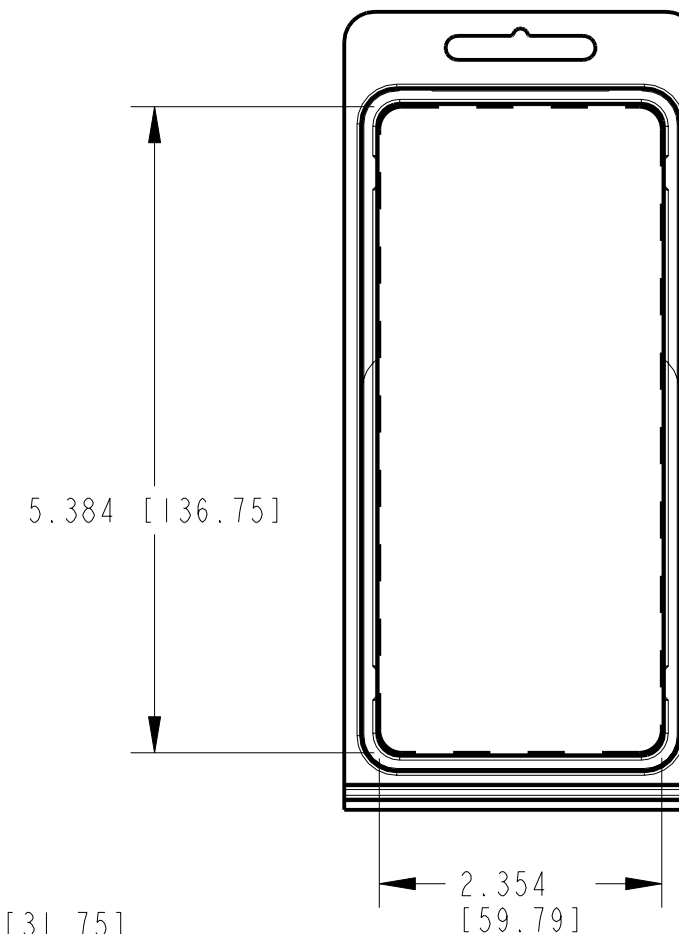
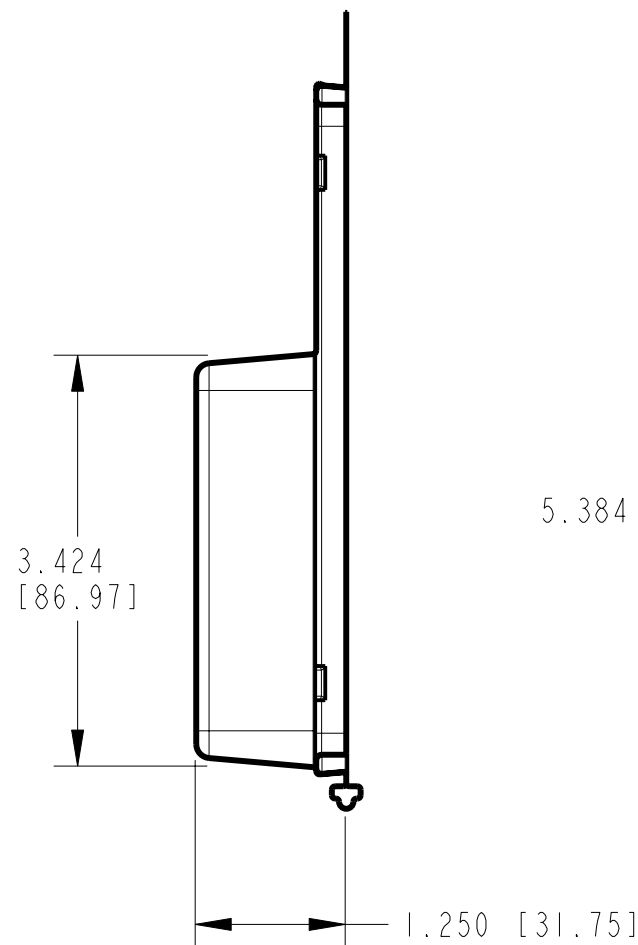
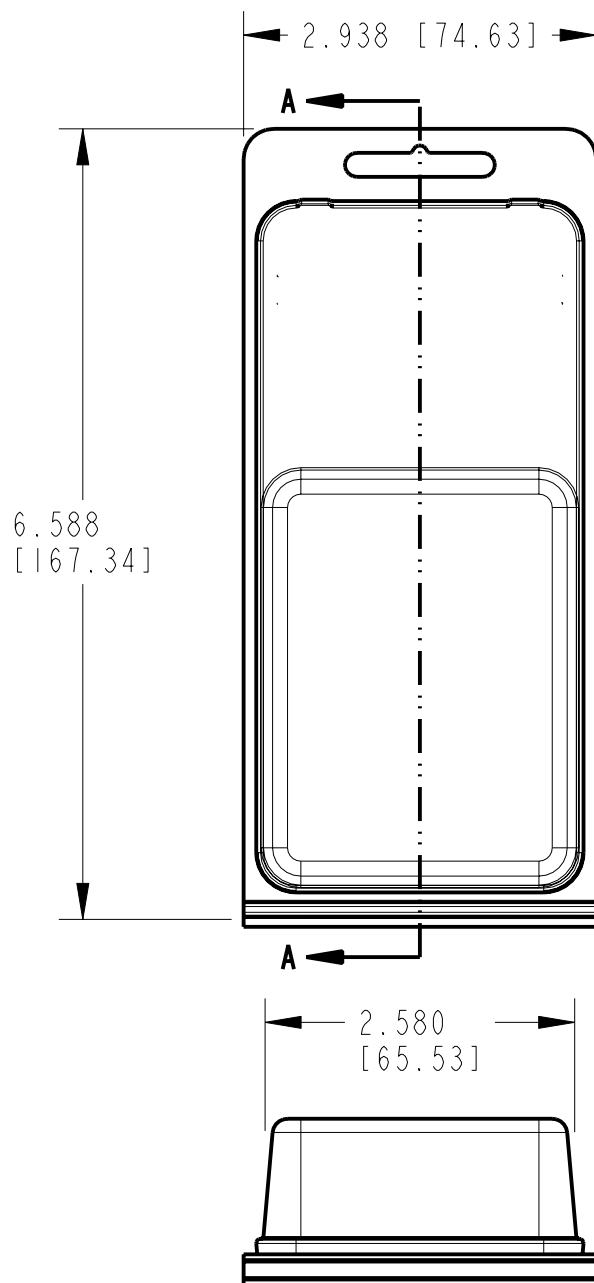


REV	DESCRIPTION	DATE	BY	APP

SECTION A-A



SCALE 0.500



DASHED LINE SHOWS CARD SIZE

- NOTES:
1. MATERIAL: PVC
SHEET THICKNESS: 0.0175 [0.44]
 2. COLOR: CLEAR
 3. DIMENSIONS IN [] ARE METRIC
 4. DIMENSIONS WITH '*' ARE MEASURED TO THEORETICAL SHARP CORNERS
 5. SHEET THICKNESS WILL VARY 0.003 [0.076] - 0.005 [0.127] PER INCH OF DRAW.

 SINCLAIR & RUSH, INC. 123 MANUFACTURERS DRIVE ARNOLD, MO 63010 www.sinclair-rush.com	STOCKCAP. GRIPWORKS. VISIPAK. www.stockcap.com www.gripworks.com www.visipak.com										
	VynaFlex™ www.vynaflex.com	 www.software.com	 www.castlebay.com								
UNLESS OTHERWISE SPECIFIED: DIMENSIONS ARE IN INCHES. TOLERANCES: DECIMALS .xxx ± 0.020 [0.51] ANGLES ± 1° CONCENTRICITY TIR .010 SURFACE FINISHES: 32/		THIS DOCUMENT CONTAINS CONFIDENTIAL INFORMATION OF SINCLAIR & RUSH INC. AND IS NOT TO BE COPIED, USED OR, DISCLOSED TO OTHERS WITHOUT THE EXPRESS WRITTEN CONSENT OF SINCLAIR & RUSH INC. <table border="1"> <tr> <td>ALL DIMENSIONS AND SYMBOLS CONFORM TO ANSI Y14.5</td> <td>DRW BD</td> <td>DATE 02-JUN-09</td> </tr> <tr> <td></td> <td>CK MH</td> <td>DATE 02-JUN-09</td> </tr> <tr> <td></td> <td>APP MH</td> <td>DATE 02-JUN-09</td> </tr> </table>	ALL DIMENSIONS AND SYMBOLS CONFORM TO ANSI Y14.5	DRW BD	DATE 02-JUN-09		CK MH	DATE 02-JUN-09		APP MH	DATE 02-JUN-09
ALL DIMENSIONS AND SYMBOLS CONFORM TO ANSI Y14.5	DRW BD	DATE 02-JUN-09									
	CK MH	DATE 02-JUN-09									
	APP MH	DATE 02-JUN-09									
DESCRIPTION Thermoform-STOCK CLAMSHELL-6.588-2.938-3.424-2.580-1.250-5.384-2.354-0.0175-RPVC-CLEAR-400 PCS/BOX SIZE B SHEET 1 OF 1		PART/DRAWING NUMBER 001636 SCALE 0.625 REV 0									