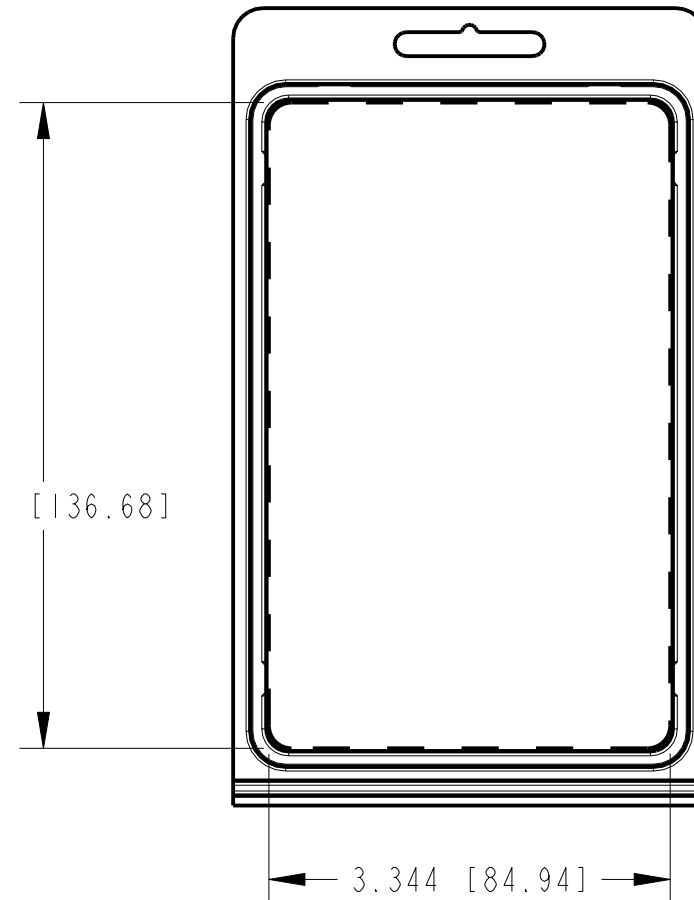
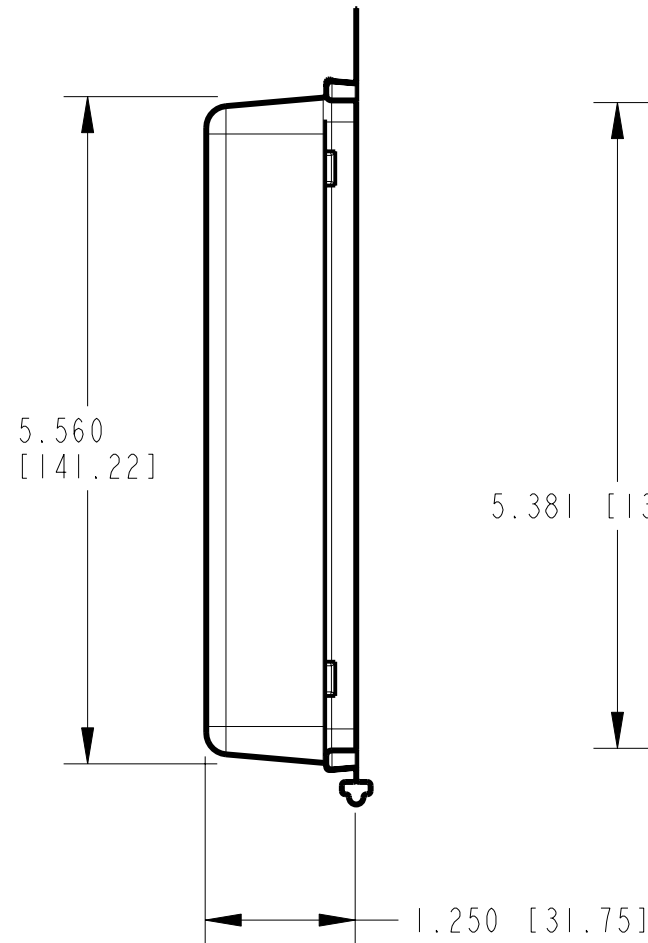
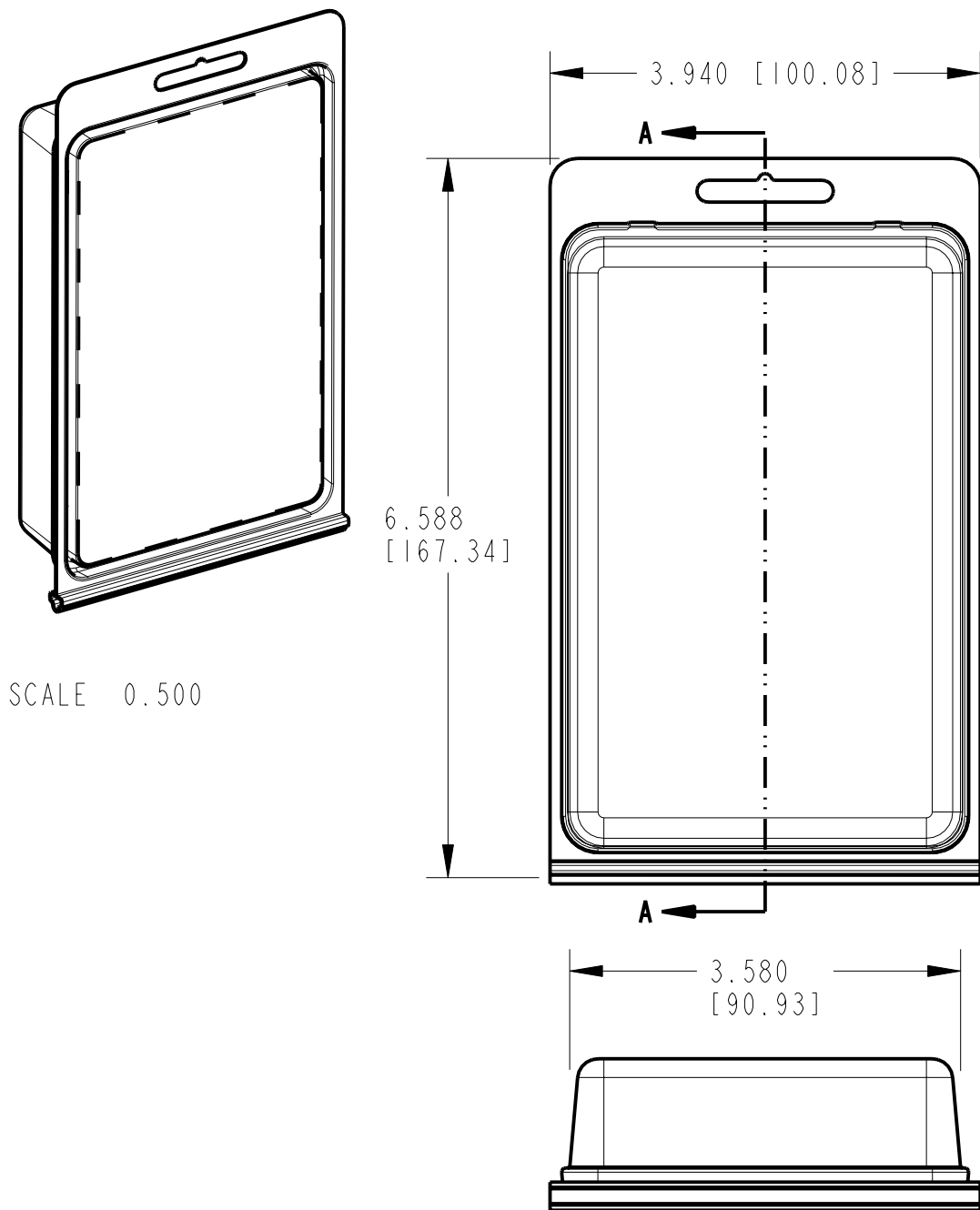


REV	DESCRIPTION	DATE	BY	APP

SECTION A-A



DASHED LINE SHOWS CARD SIZE

SCALE 0.500

- NOTES:
1. MATERIAL: PVC  
SHEET THICKNESS: 0.0175 [0.44]
  2. COLOR: CLEAR
  3. DIMENSIONS IN [ ] ARE METRIC
  4. DIMENSIONS WITH '\*' ARE MEASURED TO THEORETICAL SHARP CORNERS
  5. SHEET THICKNESS WILL VARY 0.003 [0.076] - 0.005 [0.127] PER INCH OF DRAW.

 SINCLAIR & RUSH, INC. 123 MANUFACTURERS DRIVE ARNOLD, MO 63010 www.sinclair-rush.com	<b>STOCKCAP. GRIPWORKS. VISIPAK.</b> <a href="http://www.stockcap.com">www.stockcap.com</a> <a href="http://www.gripworks.com">www.gripworks.com</a> <a href="http://www.visipak.com">www.visipak.com</a>		
	<b>VynaFlex™</b> <a href="http://www.vynaflex.com">www.vynaflex.com</a>	 <a href="http://www.software.com">www.software.com</a>	 <a href="http://www.castlebay.com">www.castlebay.com</a>
UNLESS OTHERWISE SPECIFIED: DIMENSIONS ARE IN INCHES.  TOLERANCES: DECIMALS .xxx ± 0.020 [0.51] ANGLES ± 1°  CONCENTRICITY TIR .010  SURFACE FINISHES: 32/	THIS DOCUMENT CONTAINS CONFIDENTIAL INFORMATION OF SINCLAIR & RUSH INC. AND IS NOT TO BE COPIED, USED OR, DISCLOSED TO OTHERS WITHOUT THE EXPRESS WRITTEN CONSENT OF SINCLAIR & RUSH INC.		
ALL DIMENSIONS AND SYMBOLS CONFORM TO ANSI Y14.5  THIRD ANGLE PROJECTION 	DRW BD    DATE 02-JUN-09 CK MH     DATE 02-JUN-09 APP MH    DATE 02-JUN-09	SCALE 0.625	
DESCRIPTION Thermoform-STOCK CLAMSHELL-6.588-3.940-5.560-3.580-1.250-5.381-3.344-0.0175-RPVC-CLEAR-320 PCS/BOX			
SIZE B    SHEET 1 OF 1	PART/DRAWING NUMBER 002414		REV 0