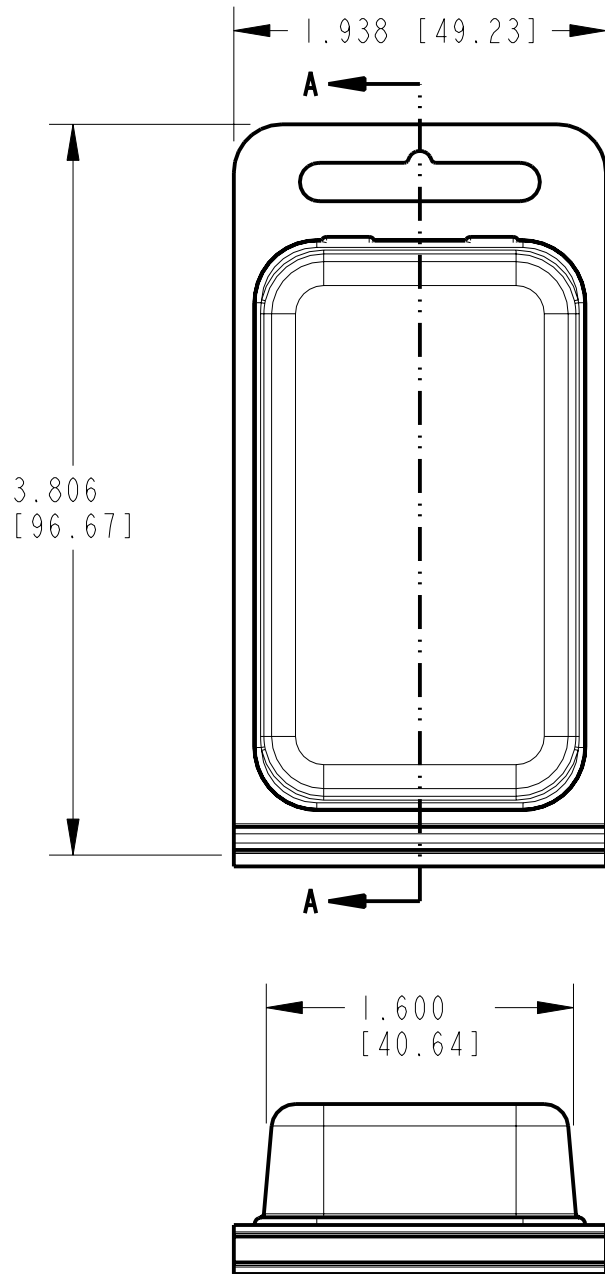
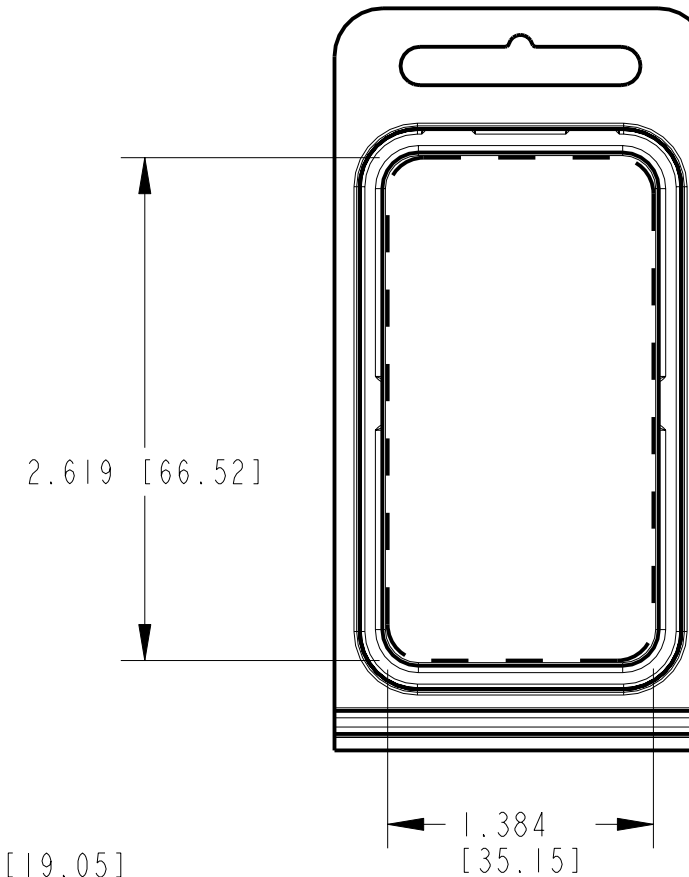
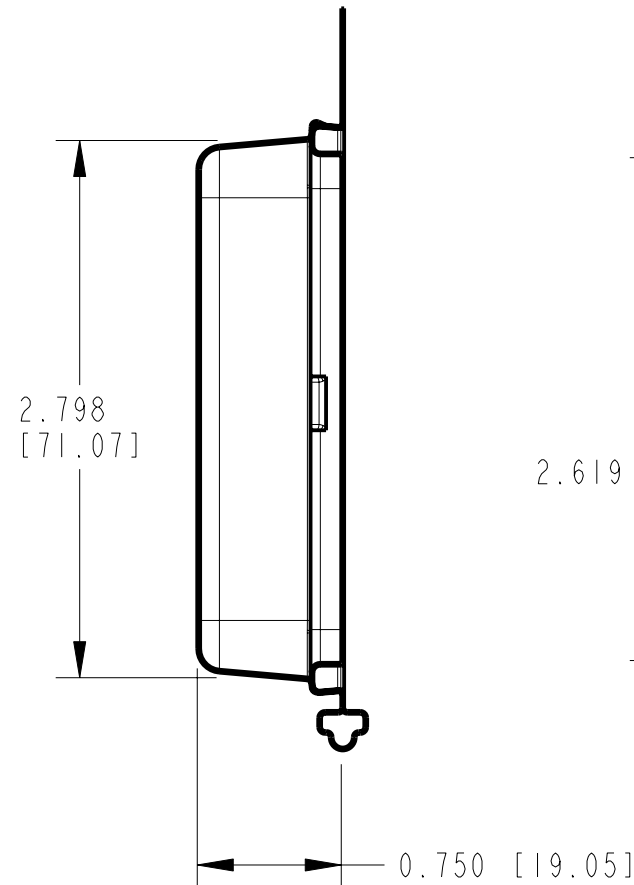


SCALE 0.500



SECTION A-A



DASHED LINE SHOWS CARD SIZE

| REV | DESCRIPTION | DATE | BY | APP |
|-----|-------------|------|----|-----|
|     |             |      |    |     |
|     |             |      |    |     |
|     |             |      |    |     |

- NOTES:
1. MATERIAL: PVC  
SHEET THICKNESS: 0.015 [0.38]
  2. COLOR: CLEAR
  3. DIMENSIONS IN [ ] ARE METRIC
  4. DIMENSIONS WITH '\*' ARE MEASURED TO THEORETICAL SHARP CORNERS
  5. SHEET THICKNESS WILL VARY 0.003 [0.076] - 0.005 [0.127] PER INCH OF DRAW.

|   |  |  |
|---|--|--|
| <br>SINCLAIR & RUSH, INC.<br>123 MANUFACTURERS DRIVE<br>ARNOLD, MO 63010<br>www.sinclair-rush.com   | <b>STOCKCAP. GRIPWORKS. VISIPAK.</b><br><a href="http://www.stockcap.com">www.stockcap.com</a> <a href="http://www.gripworks.com">www.gripworks.com</a> <a href="http://www.visipak.com">www.visipak.com</a> |  |
|   | <b>VynaFlex™</b><br><a href="http://www.vynaflex.com">www.vynaflex.com</a>   | <br><a href="http://www.software.com">www.software.com</a> |
| UNLESS OTHERWISE SPECIFIED:<br>DIMENSIONS ARE IN INCHES.<br><br>TOLERANCES: DECIMALS<br>.xxx ± 0.020 [0.51]<br>ANGLES ± 1°<br><br>CONCENTRICITY TIR .010<br><br>SURFACE FINISHES: 32/ | THIS DOCUMENT CONTAINS CONFIDENTIAL INFORMATION OF SINCLAIR & RUSH INC. AND IS NOT TO BE COPIED, USED OR, DISCLOSED TO OTHERS WITHOUT THE EXPRESS WRITTEN CONSENT OF SINCLAIR & RUSH INC.                    |  |
| ALL DIMENSIONS AND SYMBOLS CONFORM TO ANSI Y14.5<br><br>THIRD ANGLE PROJECTION<br>  | DRW BD    DATE 02-JUN-09<br>CK MH    DATE 02-JUN-09<br>APP MH    DATE 02-JUN-09  | SCALE 1.000  |
| DESCRIPTION Thermoform-STOCK CLAMSHELL-3.806-1.938-2.798-1.600-0.750-2.619-1.384-0.015-RPVC-CLEAR-550 PCS/BOX   |  |  |
| SIZE B  | SHEET 1 OF 1   | PART/DRAWING NUMBER 010978                                 |
| REV 0   |  | REV 0  |