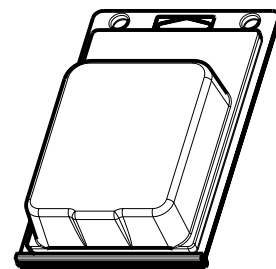
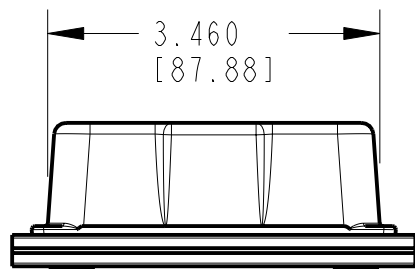
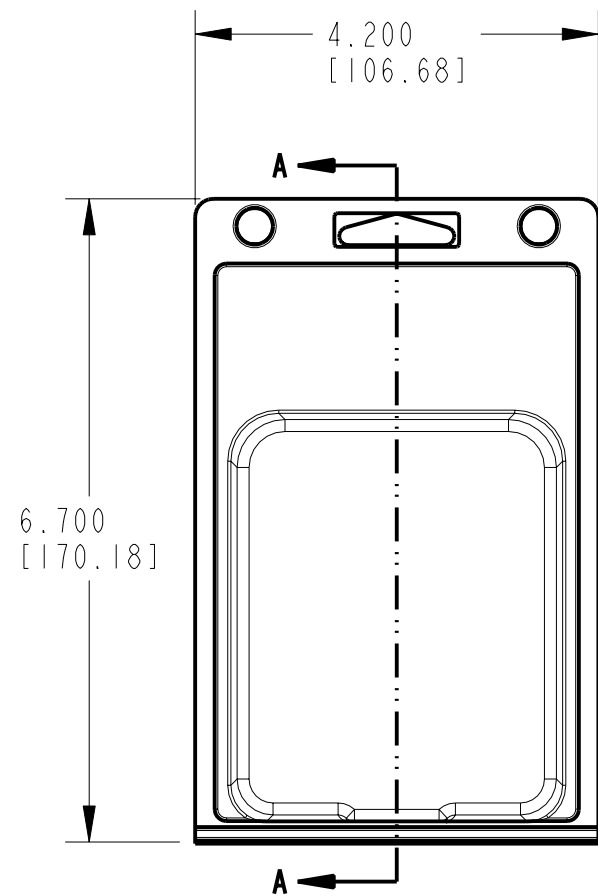


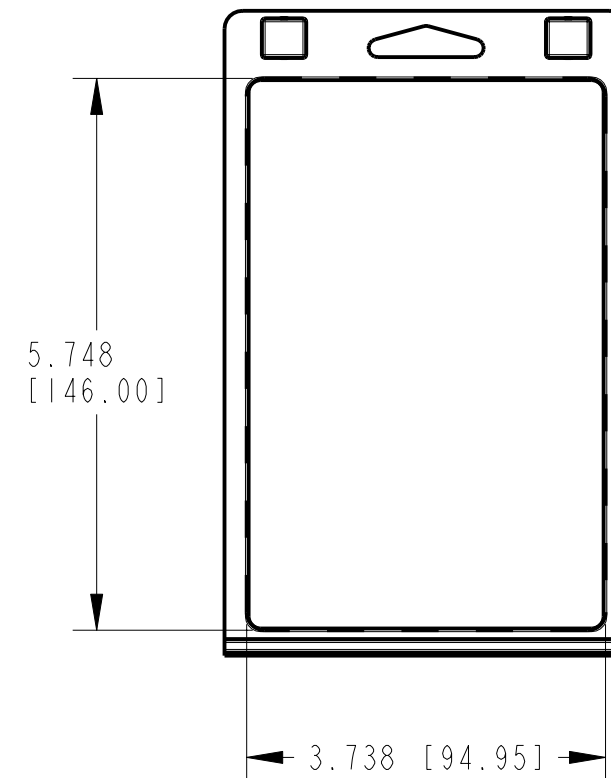
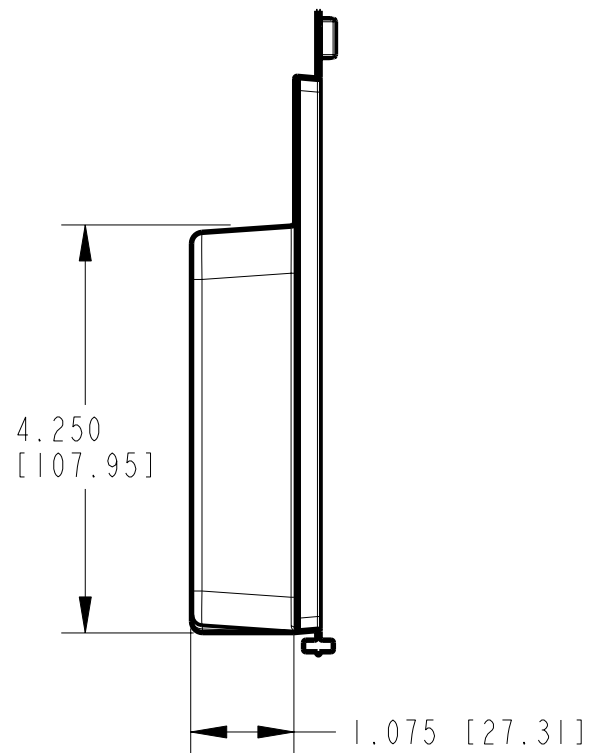
REV	DESCRIPTION	DATE	BY	APP
1	CLOSED PART UPDATED DESCRIPTION UPDATED DIMENSIONS	02-JUN-09	BD	MH



SCALE 0.250



SECTION A-A



DASHED LINE
SHOWS CARD SIZE

- NOTES:
1. MATERIAL: PVC
SHEET THICKNESS: 0.017 [0.43]
 2. COLOR: CLEAR
 3. DIMENSIONS IN [] ARE METRIC
 4. DIMENSIONS WITH '*' ARE MEASURED TO THEORETICAL SHARP CORNERS
 5. SHEET THICKNESS WILL VARY 0.003 [0.08] - 0.005 [0.13] PER INCH OF DRAW

 SINCLAIR & RUSH, INC. 123 MANUFACTURERS DRIVE ARNOLD, MO 63010 www.sinclair-rush.com	STOCKCAP. GRIPWORKS. VISIPAK. www.stockcap.com www.gripworks.com www.visipak.com		
	VynaFlex™ www.vynaflex.com	 www.software.com	 www.castlebay.com
UNLESS OTHERWISE SPECIFIED: DIMENSIONS ARE IN INCHES. TOLERANCES: DECIMALS .XXX ± 0.020 [0.51] ANGLES ± 1° CONCENTRICITY TIR .010 SURFACE FINISHES: 32/	THIS DOCUMENT CONTAINS CONFIDENTIAL INFORMATION OF SINCLAIR & RUSH INC. AND IS NOT TO BE COPIED, USED OR, DISCLOSED TO OTHERS WITHOUT THE EXPRESS WRITTEN CONSENT OF SINCLAIR & RUSH INC.		
	ALL DIMENSIONS AND SYMBOLS CONFORM TO ANSI Y14.5	DRW MBH DATE 14-0c†-08 CK WMD DATE 14-0c†-08	APP WMD DATE 14-0c†-08
	THIRD ANGLE PROJECTION	SCALE 0.500	
DESCRIPTION Thermoform-STOCK CLAMSHELL-6.700-4.200-4.250-3.460-1.075-5.748-3.738-0.017-RPVC-CLEAR-270 PCS/BOX			
SIZE B	SHEET 1 OF 1	PART/DRAWING NUMBER 023020	REV 0