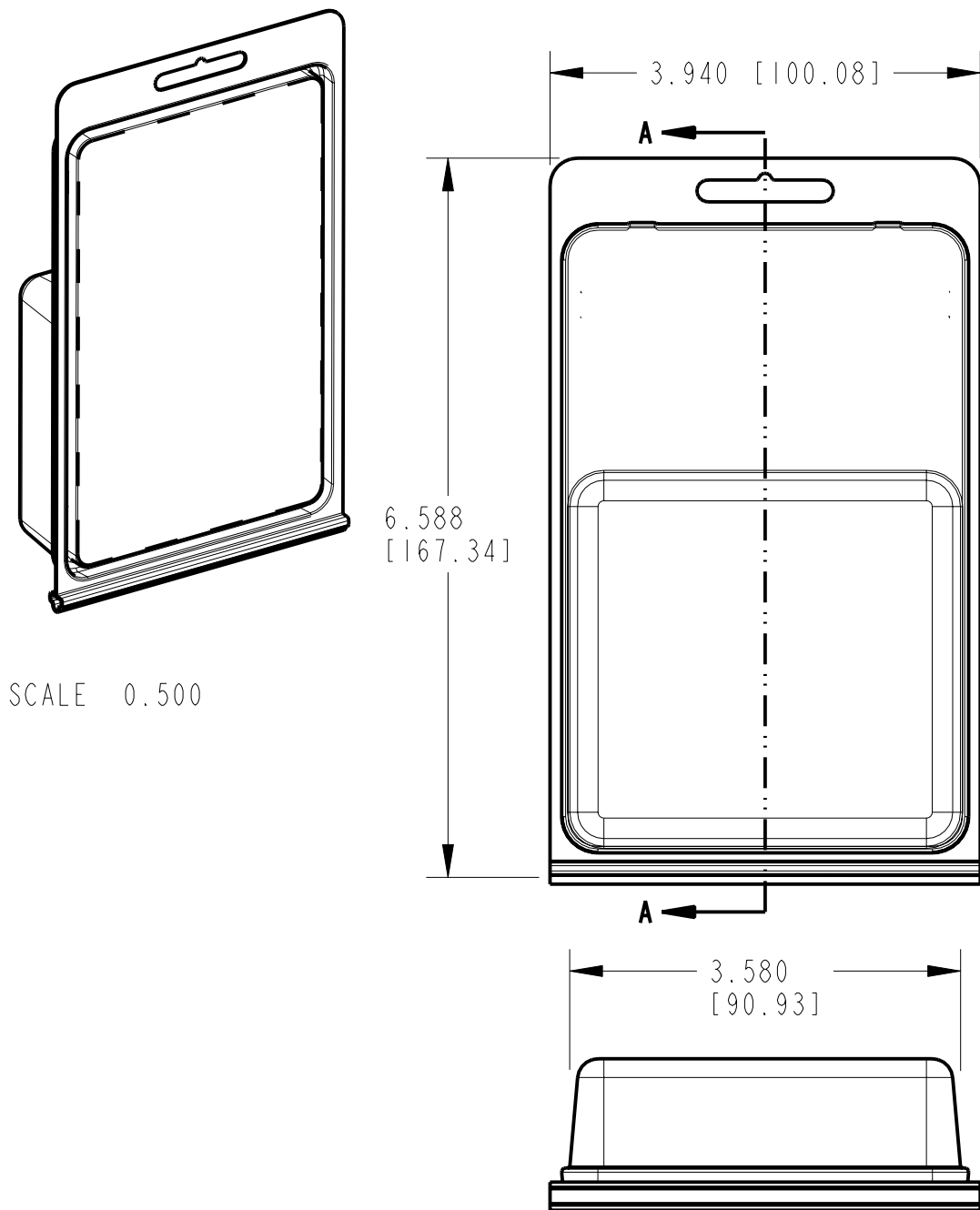
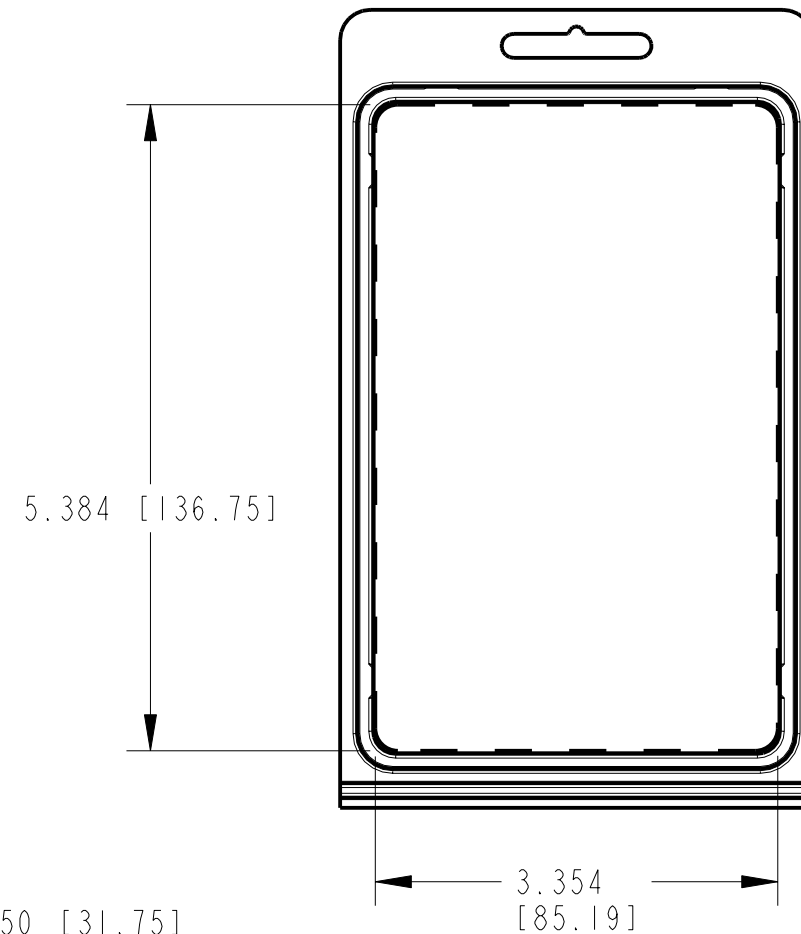
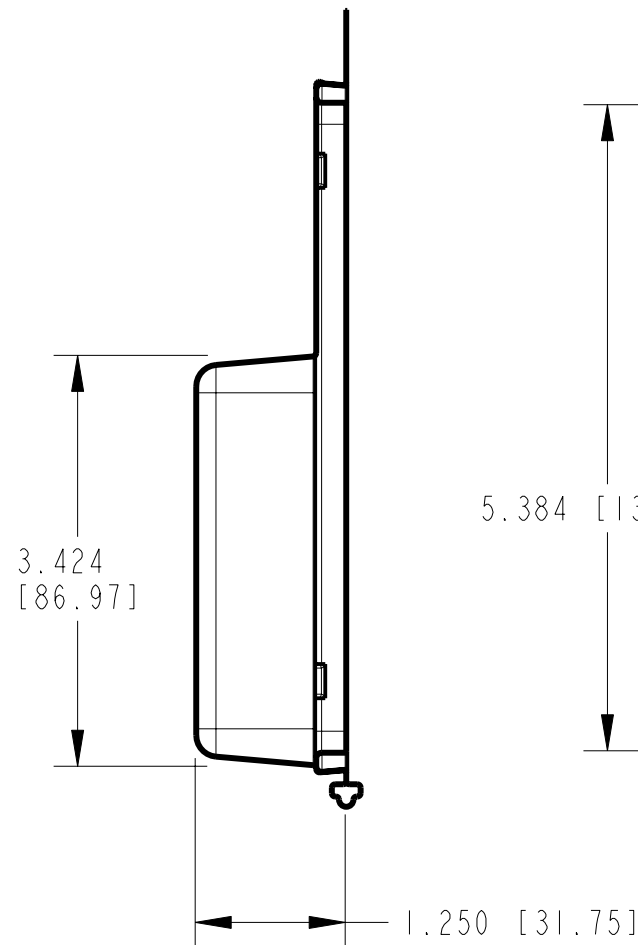


REV	DESCRIPTION	DATE	BY	APP

SECTION A-A



SCALE 0.500



DASHED LINE SHOWS CARD SIZE

- NOTES:
1. MATERIAL: PVC
SHEET THICKNESS: 0.0175 [0.44]
 2. COLOR: CLEAR
 3. DIMENSIONS IN [] ARE METRIC
 4. DIMENSIONS WITH '*' ARE MEASURED TO THEORETICAL SHARP CORNERS
 5. SHEET THICKNESS WILL VARY 0.003 [0.076] - 0.005 [0.127] PER INCH OF DRAW.

 SINCLAIR & RUSH, INC. 123 MANUFACTURERS DRIVE ARNOLD, MO 63010 www.sinclair-rush.com	STOCKCAP. GRIPWORKS. VISIPAK. www.stockcap.com www.gripworks.com www.visipak.com		
	VynaFlex™ www.vynaflex.com	 www.software.com	 www.castlebay.com
UNLESS OTHERWISE SPECIFIED: DIMENSIONS ARE IN INCHES. TOLERANCES: DECIMALS .xxx ± 0.020 [0.51] ANGLES ± 1° CONCENTRICITY TIR .010 SURFACE FINISHES: $\sqrt{32}$	THIS DOCUMENT CONTAINS CONFIDENTIAL INFORMATION OF SINCLAIR & RUSH INC. AND IS NOT TO BE COPIED, USED OR, DISCLOSED TO OTHERS WITHOUT THE EXPRESS WRITTEN CONSENT OF SINCLAIR & RUSH INC.		
ALL DIMENSIONS AND SYMBOLS CONFORM TO ANSI Y14.5 THIRD ANGLE PROJECTION 	DRW BD DATE 02-JUN-09 CK MH DATE 02-JUN-09 APP MH DATE 02-JUN-09	SCALE 0.625	
DESCRIPTION Thermoform-STOCK CLAMSHELL-6.588-3.940-3.424-3.580-1.250-5.384-3.354-0.0175-RPVC-CLEAR-320 PCS/BOX			
SIZE B	SHEET 1 OF 1	PART/DRAWING NUMBER 049393	REV 0