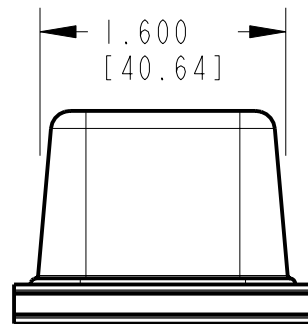
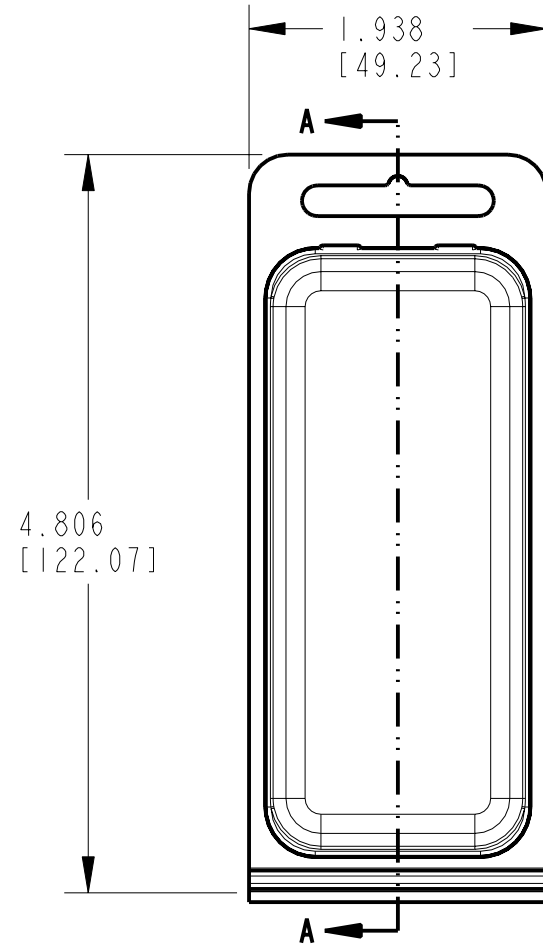
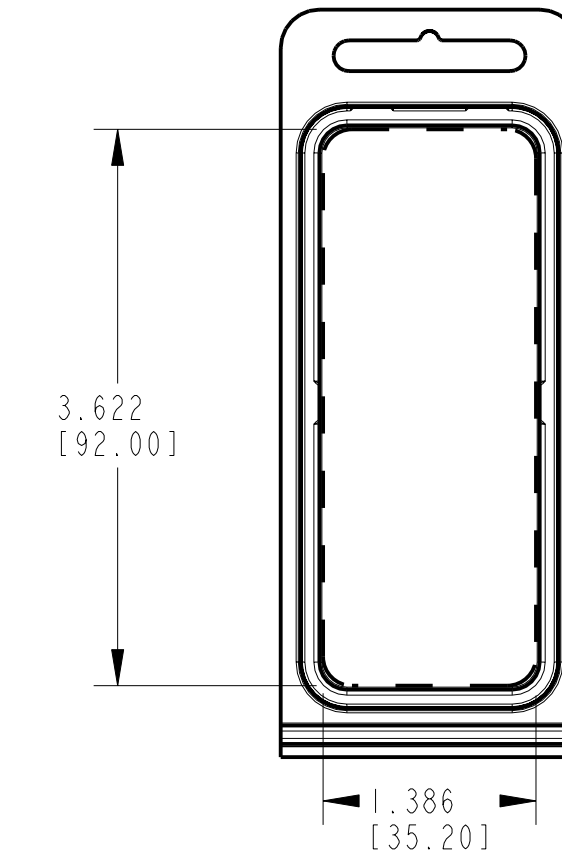
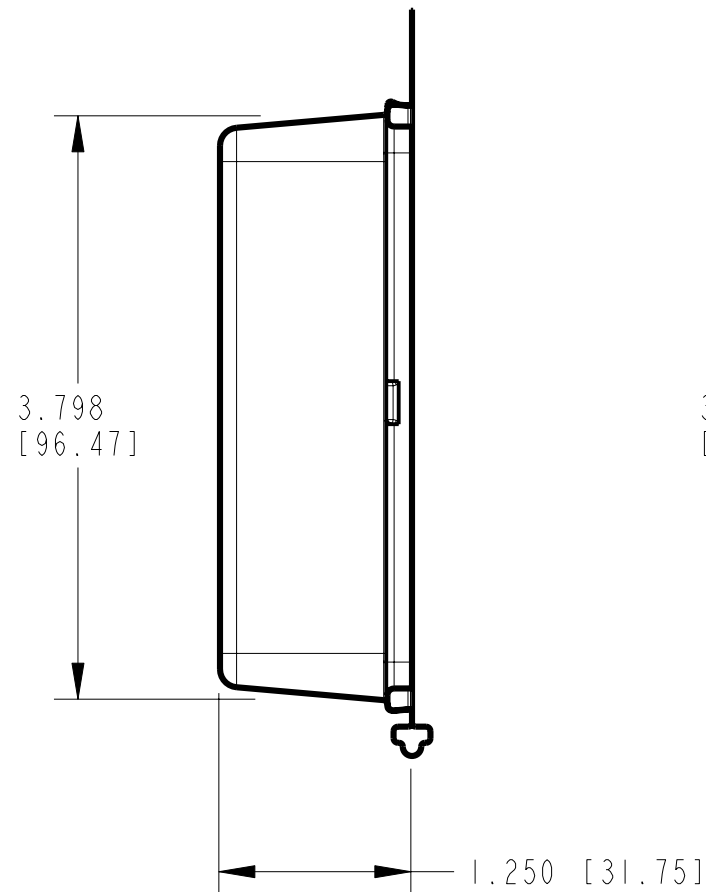


SCALE 0.500



SECTION A-A



DASHED LINE SHOWS CARD SIZE

REV	DESCRIPTION	DATE	BY	APP

- NOTES:
1. MATERIAL: PVC
SHEET THICKNESS: 0.015 [0.38]
 2. COLOR: CLEAR
 3. DIMENSIONS IN [] ARE METRIC
 4. DIMENSIONS WITH '*' ARE MEASURED TO THEORETICAL SHARP CORNERS
 5. SHEET THICKNESS WILL VARY 0.003 [0.076] - 0.005 [0.127] PER INCH OF DRAW.

 SINCLAIR & RUSH, INC. 123 MANUFACTURERS DRIVE ARNOLD, MO 63010 www.sinclair-rush.com	STOCKCAP. GRIPWORKS. VISIPAK. www.stockcap.com www.gripworks.com www.visipak.com		
	VynaFlex™ www.vynaflex.com		
UNLESS OTHERWISE SPECIFIED: DIMENSIONS ARE IN INCHES. TOLERANCES: DECIMALS .XXX ± 0.020 [0.51] ANGLES ± 1° CONCENTRICITY TIR .010 SURFACE FINISHES: 32/		THIS DOCUMENT CONTAINS CONFIDENTIAL INFORMATION OF SINCLAIR & RUSH INC. AND IS NOT TO BE COPIED, USED OR, DISCLOSED TO OTHERS WITHOUT THE EXPRESS WRITTEN CONSENT OF SINCLAIR & RUSH INC.	
ALL DIMENSIONS AND SYMBOLS CONFORM TO ANSI Y14.5		DRW BD DATE 02-JUN-09 CK MH DATE 02-JUN-09	APP MH DATE 02-JUN-09
THIRD ANGLE PROJECTION		SCALE 0.800	
DESCRIPTION Thermoform-STOCK CLAMSHELL-4.806-1.938-3.798-1.600-1.250-3.622-1.386-0.015-RPVC-CLEAR-500 PCS/BOX			
SIZE B	SHEET 1 OF 1	PART/DRAWING NUMBER 054386	REV 0