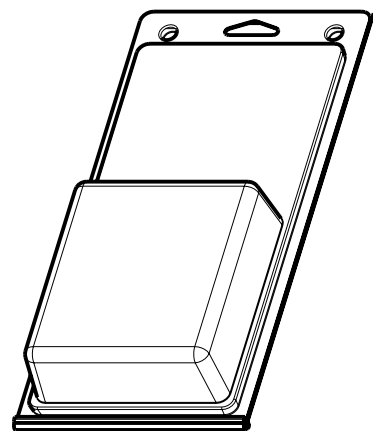
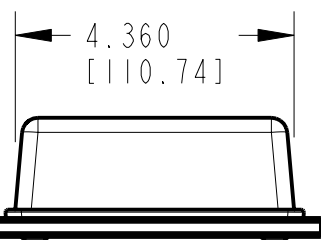
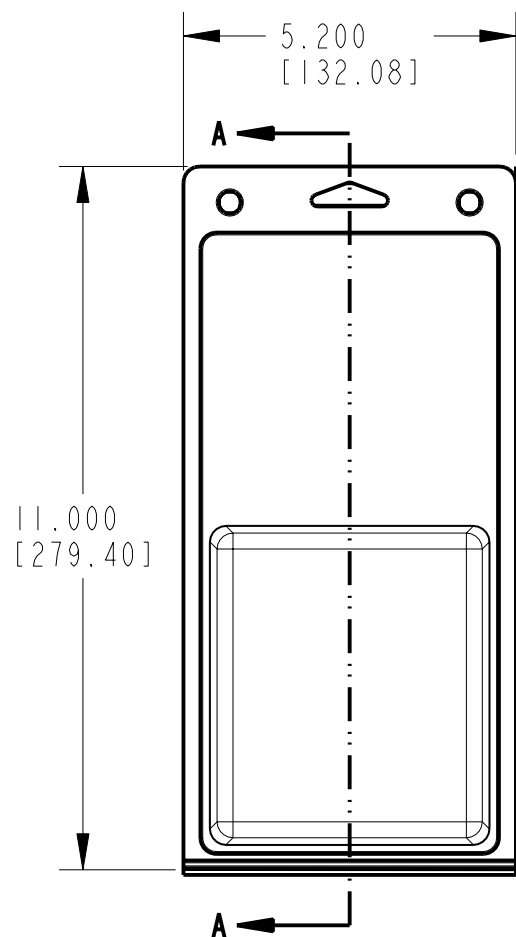


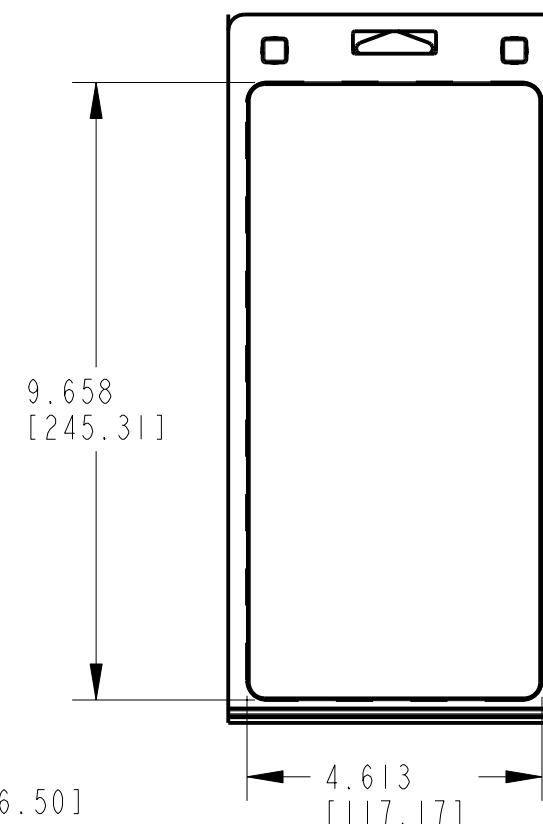
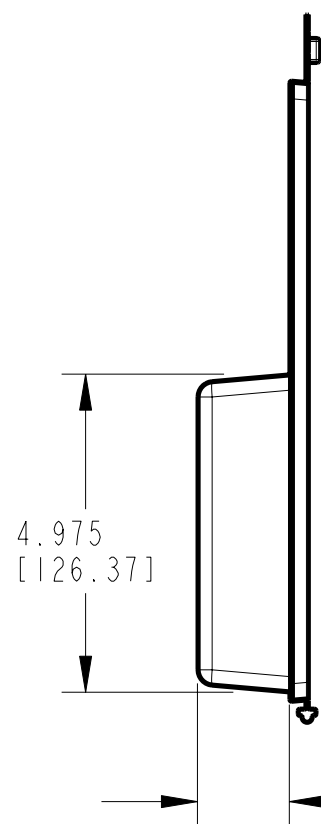
REV	DESCRIPTION	DATE	BY	APP



SCALE 0.250



SECTION A-A



DASHED LINE SHOWS CARD SIZE

- NOTES:
1. MATERIAL: PVC
SHEET THICKNESS: 0.020 [0.51]
 2. COLOR: CLEAR
 3. DIMENSIONS IN [] ARE METRIC
 4. DIMENSIONS WITH '*' ARE MEASURED TO THEORETICAL SHARP CORNERS
 5. SHEET THICKNESS WILL VARY 0.003 [0.076] - 0.005 [0.127] PER INCH OF DRAW

 SINCLAIR & RUSH, INC. 123 MANUFACTURERS DRIVE ARNOLD, MO 63010 www.sinclair-rush.com	STOCKCAP. GRIPWORKS. VISIPAK. www.stockcap.com www.gripworks.com www.visipak.com	
	VynaFlex™ www.vynaflex.com	 www.software.com
UNLESS OTHERWISE SPECIFIED: DIMENSIONS ARE IN INCHES. TOLERANCES: DECIMALS .XXX ± 0.020 [0.51] ANGLES ± 1° CONCENTRICITY TIR .010 SURFACE FINISHES: 32/	THIS DOCUMENT CONTAINS CONFIDENTIAL INFORMATION OF SINCLAIR & RUSH INC. AND IS NOT TO BE COPIED, USED OR, DISCLOSED TO OTHERS WITHOUT THE EXPRESS WRITTEN CONSENT OF SINCLAIR & RUSH INC.	
	ALL DIMENSIONS AND SYMBOLS CONFORM TO ANSI Y14.5 DRW BD DATE 03-JUN-09 CK MH DATE 03-JUN-09 APP MH DATE 03-JUN-09	THIRD ANGLE PROJECTION SCALE 0.333
DESCRIPTION Thermoform-STOCK CLAMSHELL-11.000-5.200-4.975-4.360-1.437-9.658-4.613-0.020-RPVC-CLEAR-120 PCS/BOX		
SIZE B SHEET 1 OF 1	PART/DRAWING NUMBER 079132 REV 0	