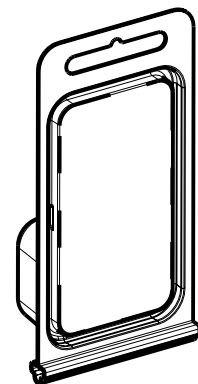
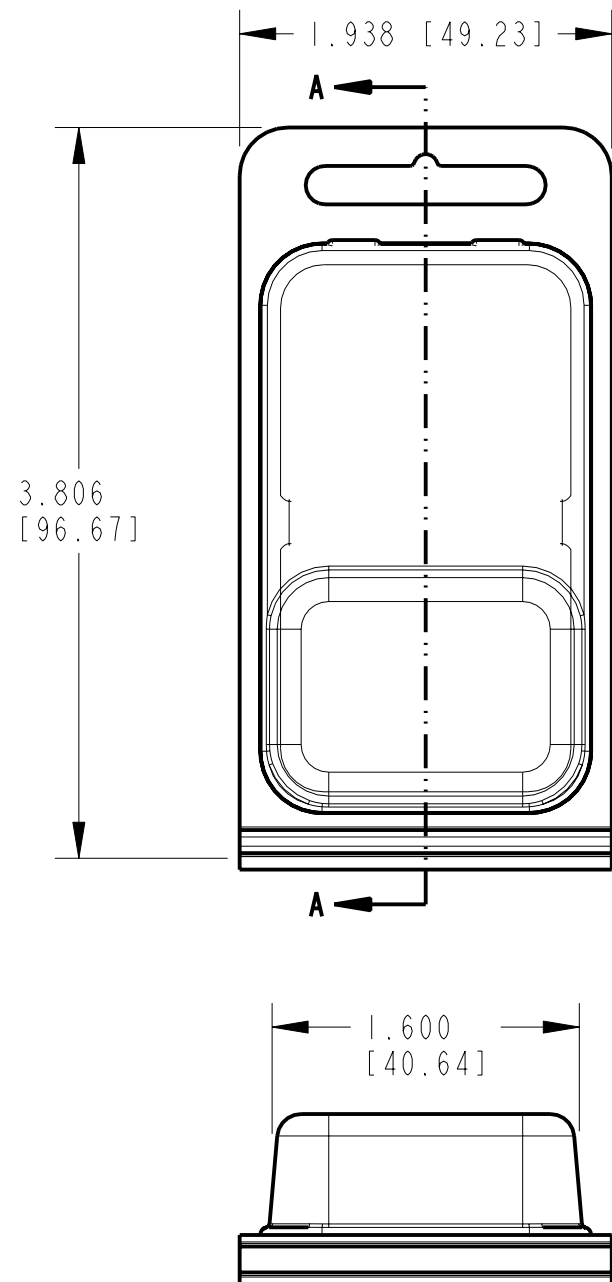


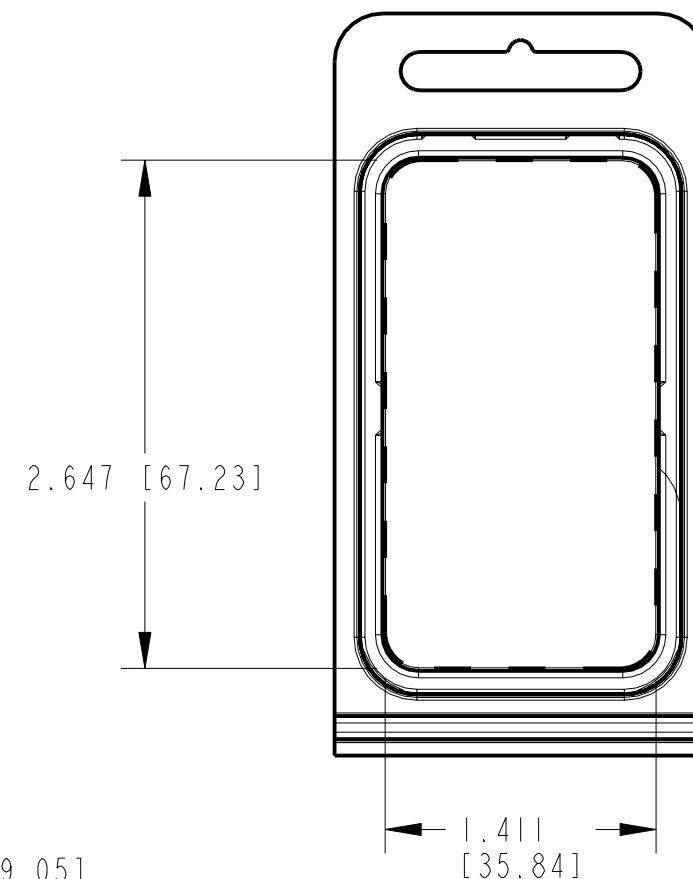
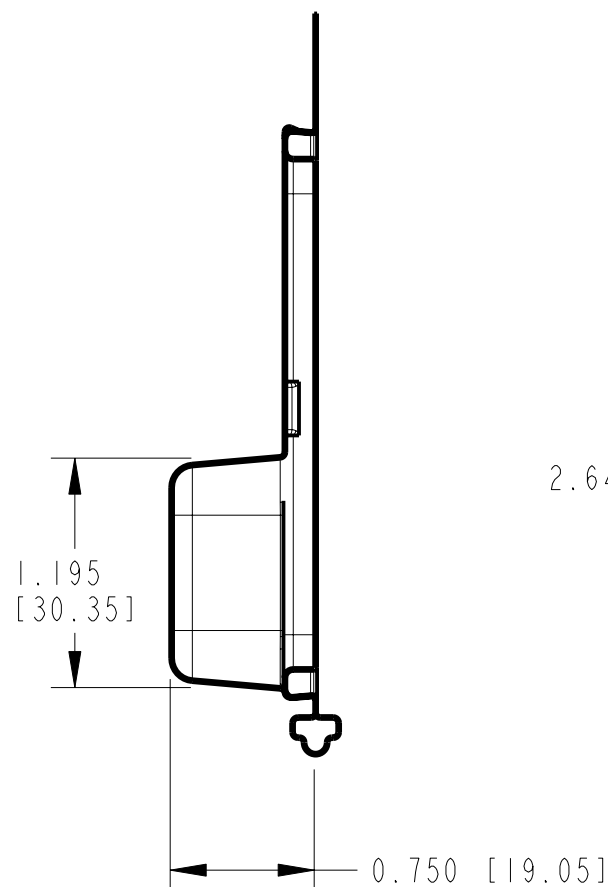
REV	DESCRIPTION	DATE	BY	APP



SCALE 0.500



SECTION A-A



DASHED LINE SHOWS CARD SIZE

- NOTES:
1. MATERIAL: PVC  
SHEET THICKNESS: 0.015 [0.38]
  2. COLOR: CLEAR
  3. DIMENSIONS IN [ ] ARE METRIC
  4. DIMENSIONS WITH '\*' ARE MEASURED TO THEORETICAL SHARP CORNERS
  5. SHEET THICKNESS WILL VARY 0.003 [0.076] - 0.005 [0.127] PER INCH OF DRAW.

 SINCLAIR & RUSH, INC. 123 MANUFACTURERS DRIVE ARNOLD, MO 63010 www.sinclair-rush.com	<b>STOCKCAP. GRIPWORKS. VISIPAK.</b> <a href="http://www.stockcap.com">www.stockcap.com</a> <a href="http://www.gripworks.com">www.gripworks.com</a> <a href="http://www.visipak.com">www.visipak.com</a>	
	<b>VynaFlex™</b> <a href="http://www.vynaflex.com">www.vynaflex.com</a>	 <a href="http://www.software.com">www.software.com</a>
UNLESS OTHERWISE SPECIFIED: DIMENSIONS ARE IN INCHES.  TOLERANCES: DECIMALS .xxx ± 0.020 [0.51] ANGLES ± 1°  CONCENTRICITY TIR .010  SURFACE FINISHES: 32/	THIS DOCUMENT CONTAINS CONFIDENTIAL INFORMATION OF SINCLAIR & RUSH INC. AND IS NOT TO BE COPIED, USED OR, DISCLOSED TO OTHERS WITHOUT THE EXPRESS WRITTEN CONSENT OF SINCLAIR & RUSH INC.	
	ALL DIMENSIONS AND SYMBOLS CONFORM TO ANSI Y14.5 DRW BD    DATE 02-JUN-09 CK MH    DATE 02-JUN-09 APP MH    DATE 02-JUN-09	 SCALE 1.000
DESCRIPTION Thermoform-STOCK CLAMSHELL-3.806-1.938-1.195-1.600-0.750-2.647-1.411-0.015-RPVC-CLEAR-500 PCS/BOX		
SIZE B    SHEET 1 OF 1	PART/DRAWING NUMBER 251523    REV 0	