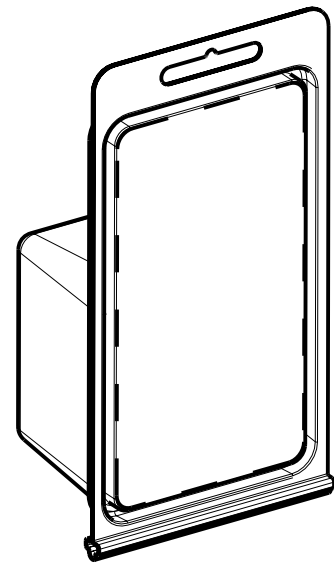
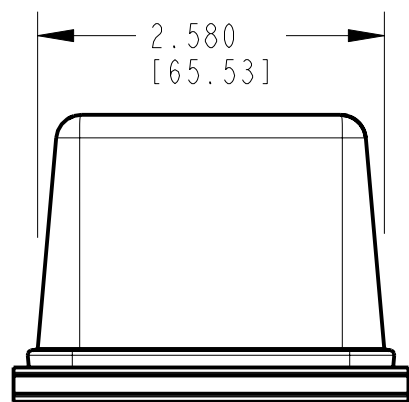
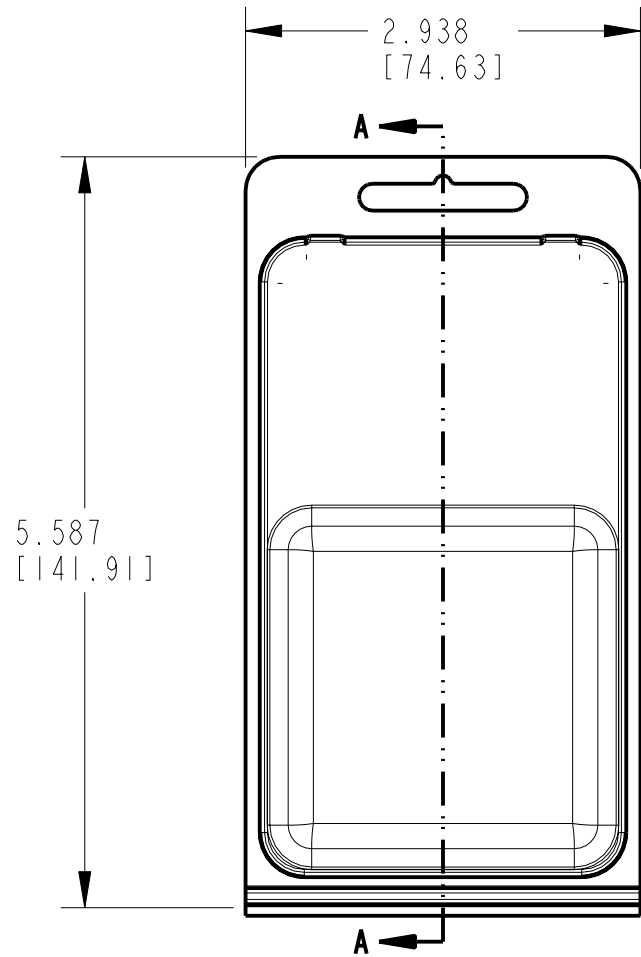


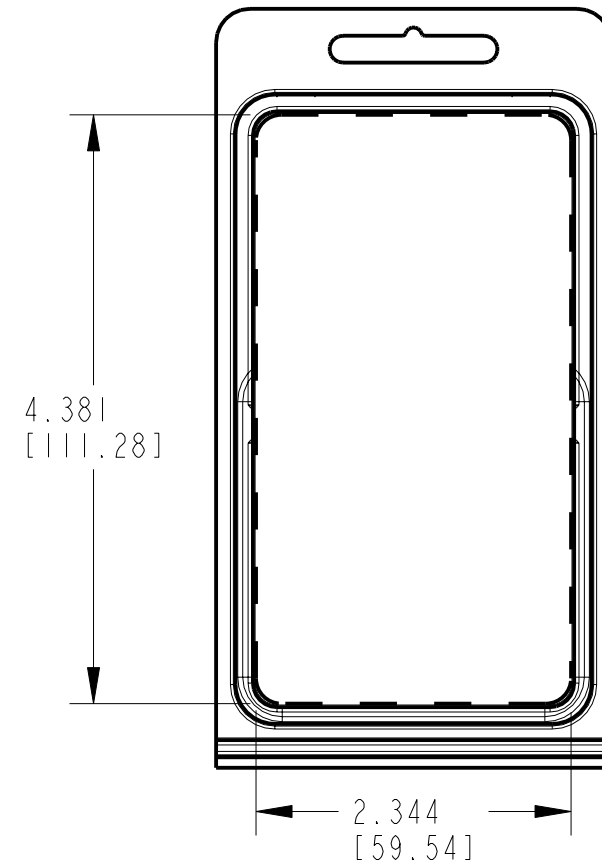
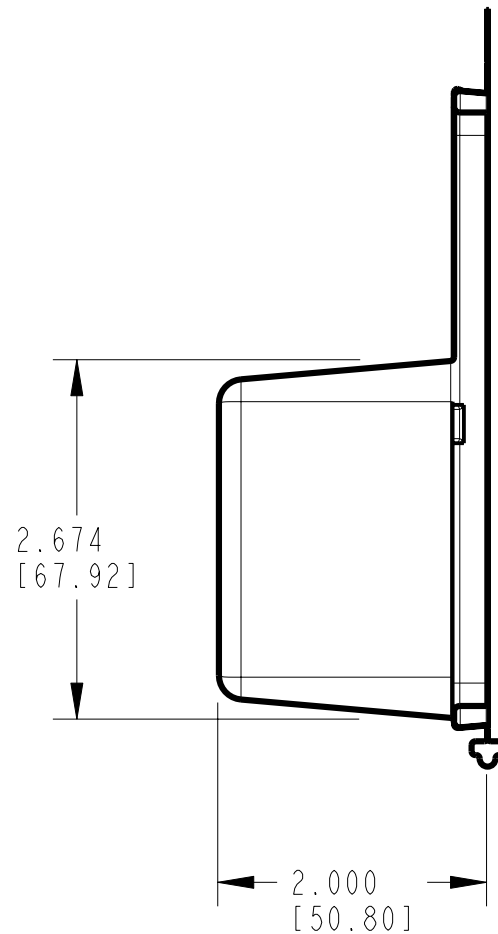
REV	DESCRIPTION	DATE	BY	APP



SCALE 0.500



SECTION A-A



DASHED LINE SHOWS CARD SIZE

- NOTES:
1. MATERIAL: PVC
SHEET THICKNESS: 0.0175 [0.44]
 2. COLOR: CLEAR
 3. DIMENSIONS IN [] ARE METRIC
 4. DIMENSIONS WITH '*' ARE MEASURED TO THEORETICAL SHARP CORNERS
 5. SHEET THICKNESS WILL VARY 0.003 [0.076] - 0.005 [0.127] PER INCH OF DRAW.

 SINCLAIR & RUSH, INC. 123 MANUFACTURERS DRIVE ARNOLD, MO 63010 www.sinclair-rush.com	STOCKCAP. GRIPWORKS. VISIPAK. www.stockcap.com www.gripworks.com www.visipak.com	
	VynaFlex™ www.vynaflex.com	 www.software.com
UNLESS OTHERWISE SPECIFIED: DIMENSIONS ARE IN INCHES. TOLERANCES: DECIMALS .XXX ± 0.020 [0.51] ANGLES ± 1° CONCENTRICITY TIR .010 SURFACE FINISHES: 32/	THIS DOCUMENT CONTAINS CONFIDENTIAL INFORMATION OF SINCLAIR & RUSH INC. AND IS NOT TO BE COPIED, USED OR, DISCLOSED TO OTHERS WITHOUT THE EXPRESS WRITTEN CONSENT OF SINCLAIR & RUSH INC.	
ALL DIMENSIONS AND SYMBOLS CONFORM TO ANSI Y14.5 THIRD ANGLE PROJECTION 	DRW BD DATE 02-JUN-09 CK MH DATE 02-JUN-09 APP MH DATE 02-JUN-09	SCALE 0.700
DESCRIPTION Thermoform-STOCK CLAMSHELL-5.587-2.938-2.674-2.580-2.000-4.381-2.344-0.0175-RPVC-CLEAR-450 PCS/BOX		
SIZE B	SHEET 1 OF 1	PART/DRAWING NUMBER 398294
		REV 0