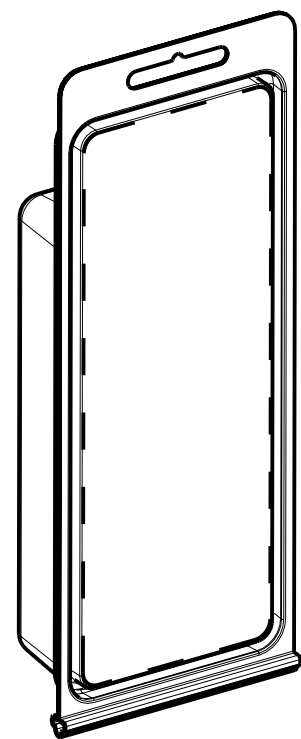
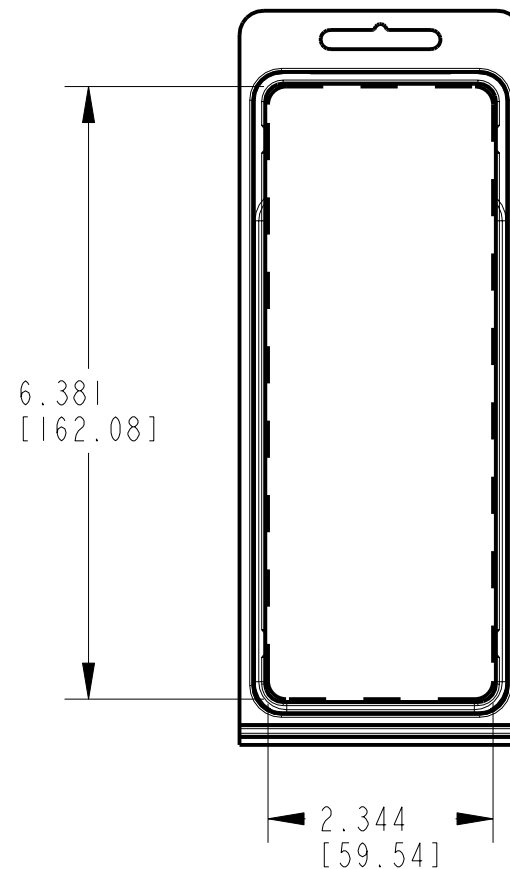
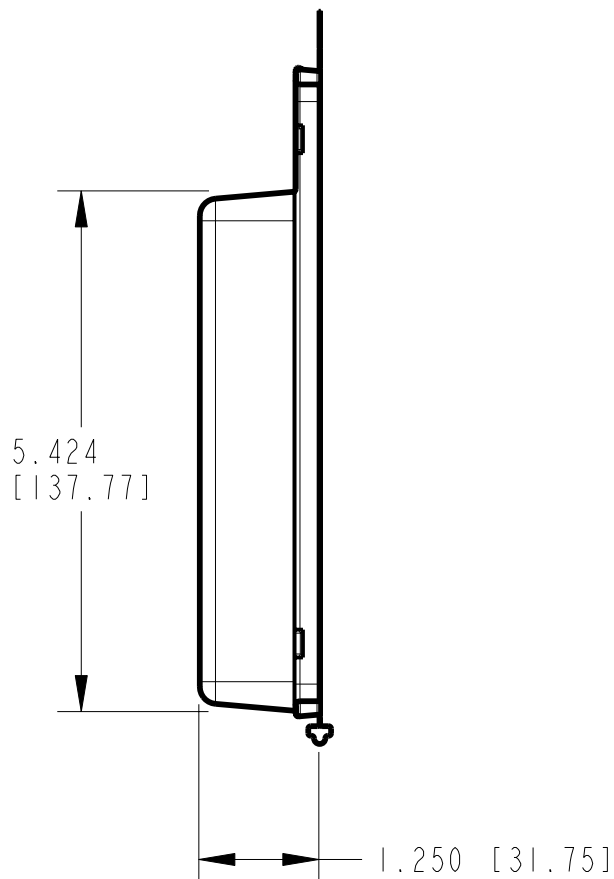
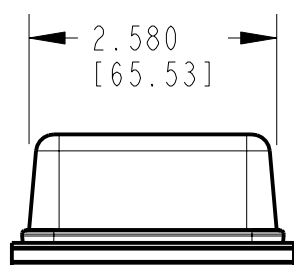
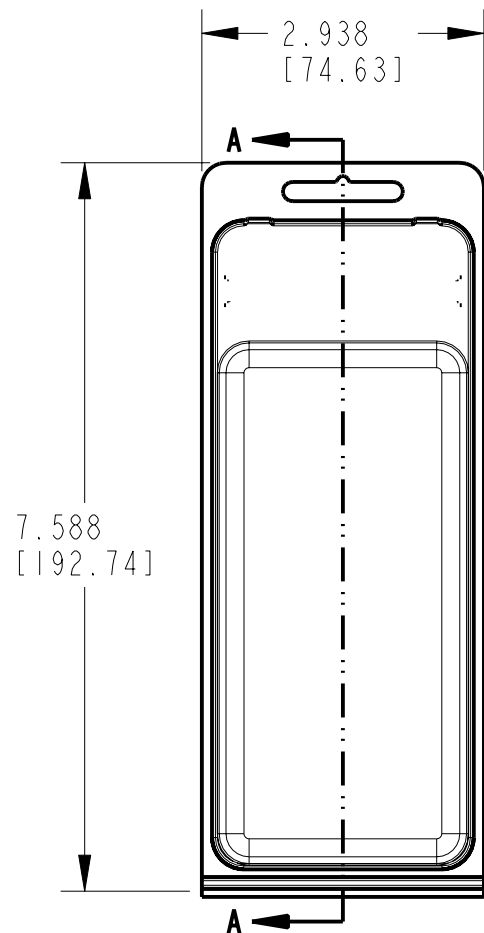


REV	DESCRIPTION	DATE	BY	APP

SECTION A-A



SCALE 0.500



DASHED LINE SHOWS CARD SIZE

- NOTES:
1. MATERIAL: PVC  
SHEET THICKNESS: 0.020 [0.51]
  2. COLOR: CLEAR
  3. DIMENSIONS IN [ ] ARE METRIC
  4. DIMENSIONS WITH '\*' ARE MEASURED TO THEORETICAL SHARP CORNERS
  5. SHEET THICKNESS WILL VARY 0.003 [0.076] - 0.005 [0.127] PER INCH OF DRAW.

 SINCLAIR & RUSH, INC. 123 MANUFACTURERS DRIVE ARNOLD, MO 63010 www.sinclair-rush.com	<b>STOCKCAP. GRIPWORKS. VISIPAK.</b> <a href="http://www.stockcap.com">www.stockcap.com</a> <a href="http://www.gripworks.com">www.gripworks.com</a> <a href="http://www.visipak.com">www.visipak.com</a>		
	<b>VynaFlex™</b> <a href="http://www.vynaflex.com">www.vynaflex.com</a>	 <a href="http://www.software.com">www.software.com</a>	 <a href="http://www.castlebay.com">www.castlebay.com</a>
UNLESS OTHERWISE SPECIFIED: DIMENSIONS ARE IN INCHES.  TOLERANCES: DECIMALS .xxx ± 0.020 [0.51] ANGLES ± 1°  CONCENTRICITY TIR .010  SURFACE FINISHES: 32/		THIS DOCUMENT CONTAINS CONFIDENTIAL INFORMATION OF SINCLAIR & RUSH INC. AND IS NOT TO BE COPIED, USED OR, DISCLOSED TO OTHERS WITHOUT THE EXPRESS WRITTEN CONSENT OF SINCLAIR & RUSH INC.	
		ALL DIMENSIONS AND SYMBOLS CONFORM TO ANSI Y14.5	DRW BD    DATE 02-JUN-09 CK MH    DATE 02-JUN-09 APP MH    DATE 02-JUN-09
		THIRD ANGLE PROJECTION	SCALE 0.500
DESCRIPTION Thermoform-STOCK CLAMSHELL-7.588-2.938-5.424-2.580-1.250-6.381-2.344-0.020-RPVC-CLEAR-350 PCS/BOX			
SIZE B	SHEET 1 OF 1	PART/DRAWING NUMBER 592969	REV 0